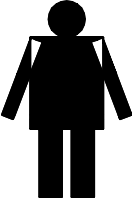
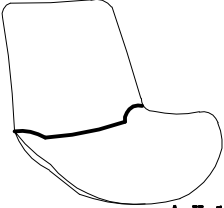
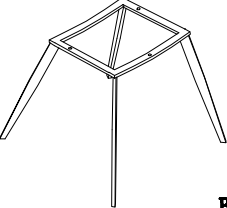
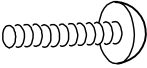



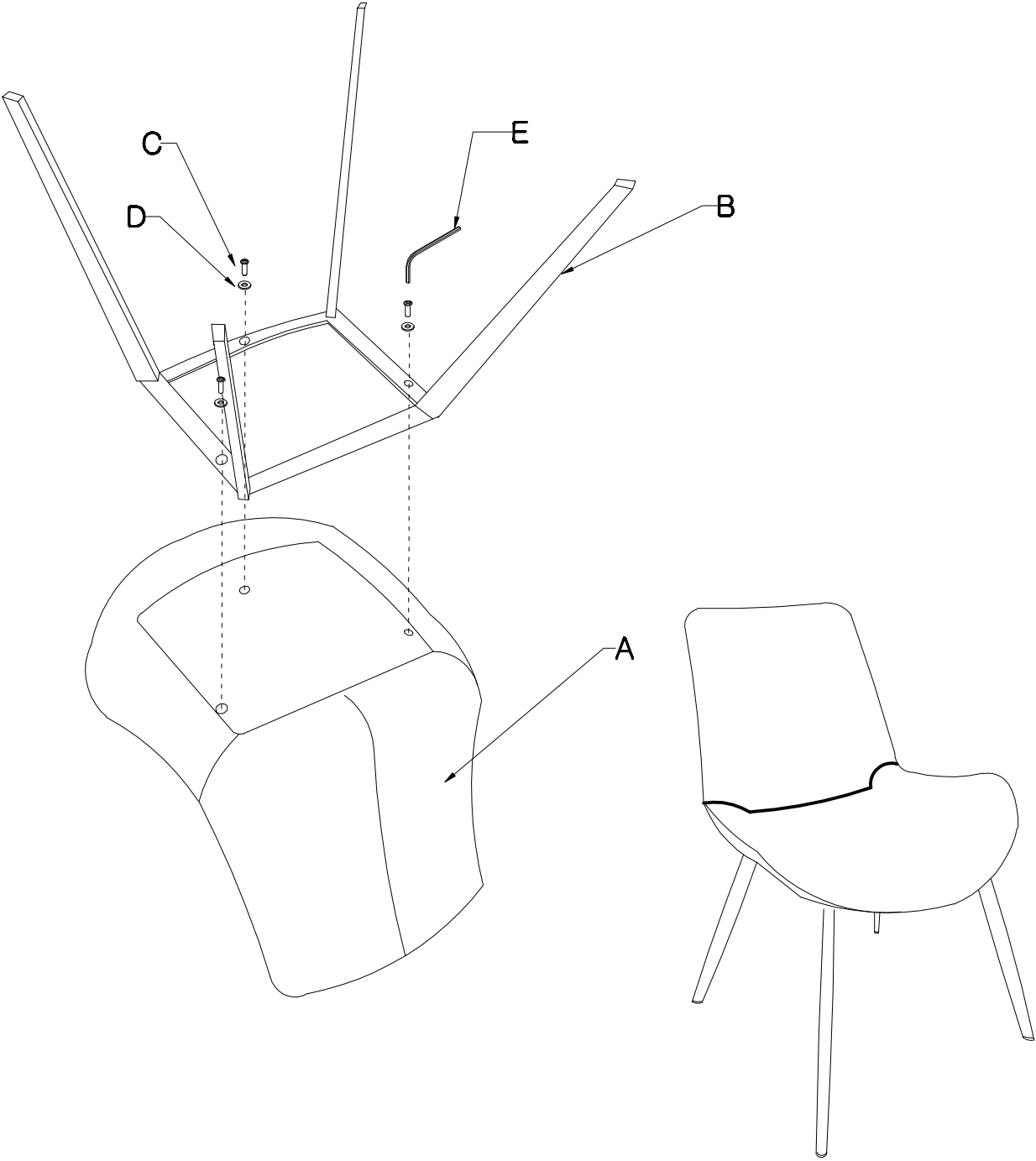


# HYPE / EC14031

	 <p>A X 1X</p>	 <p>B X 1X</p>	 <p>C X 3X M6*25MM</p>	 <p>D X 3X</p>	
	 <p>E X 1X M4</p>				
					

**\*\*Please do not use knife to open the EPE foam\*\***